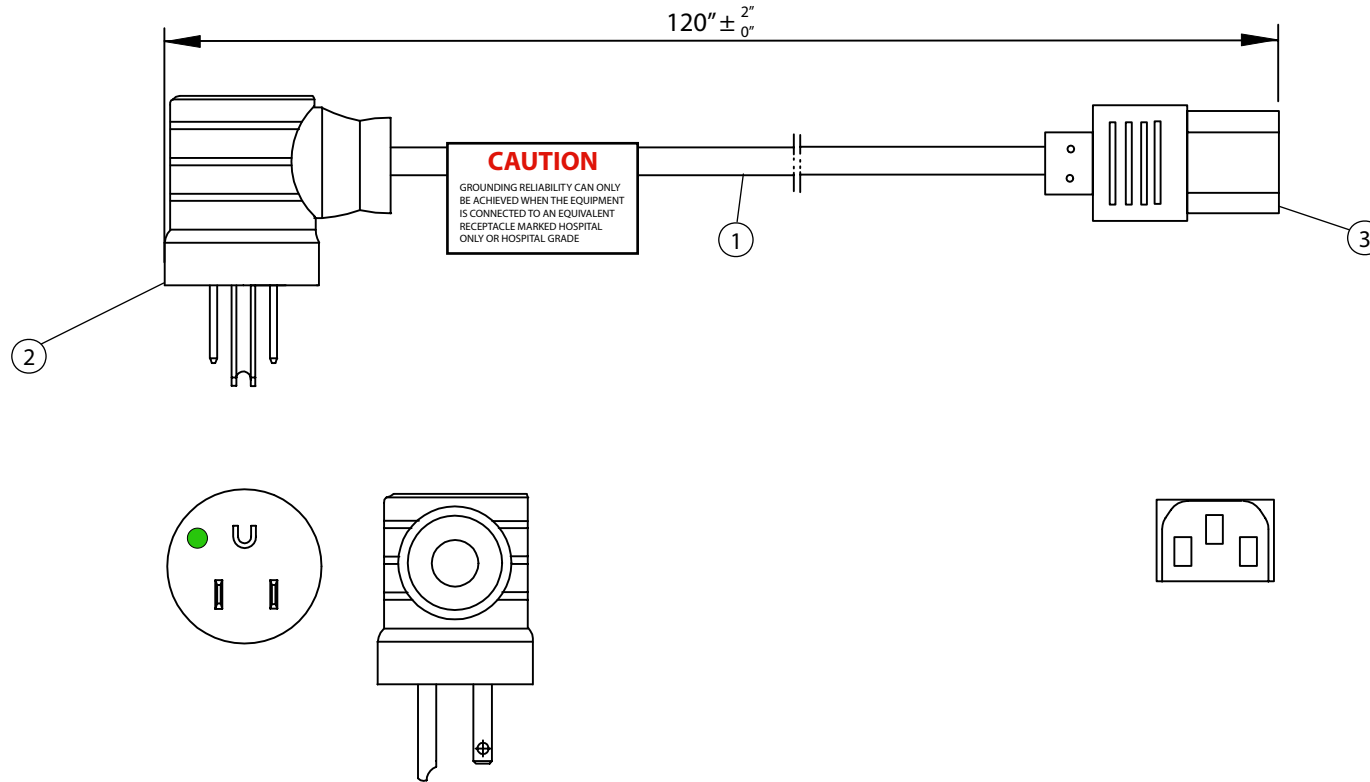


THESE DRAWINGS ARE THE PROPERTY OF QUALTEK ELECTRONICS AND NOT TO BE REPRODUCED FOR OR COMMUNICATED TO A THIRD PARTY WITHOUT THE EXPRESS WRITTEN PERMISSION OF AN OFFICER OF QUALTEK ELECTRONICS.

REVISION			
REV.	DESCRIPTION	DATE	APPROVED
B	Correct Projection of left plug, take out detail dims	01-13-04	LG
C	RoHS Compliancy	06-01-06	DP



NOTES:

1. CORDAGE: SJT, 18AWG / 3C, UNSHIELDED, NA COLOR CODE, TEMP. RATING 60°C, RATING: 125V 10A, JACKET COLOR: GRAY
2. PLUG: NEMA 5-15P HOSPITAL GRADE (CLEAR)
3. CONNECTOR: IEC 60320 C13
4. APPROVALS: UL, CSA
5. ROHS COMPLIANT
6. CAUTION LABEL

**CONTROLLED**

Dim range (mm)		Tolerance +/- (mm)		<b>Qualtek Electronics Corp.</b> PPC DIVISION		
				Part Number:	243003-06	RoHS Compliant
				Description:		
				HOSTPITAL GRADE POWER CORD		
0-1	0.15			UNIT: in		REV.C
1-6	0.20					
6-18	0.30					
18-50	0.50					
50-120	0.70					
120-250	0.90			Drawn / Date	Checked / Date	Approved / Date
250-500	1.20			B. Zhang 11-11-04	11-11-04	JJH / 11-11-04